



# Parts Manual

Mfg. No: 030210-2  
7,500 Watt Briggs & Stratton



---

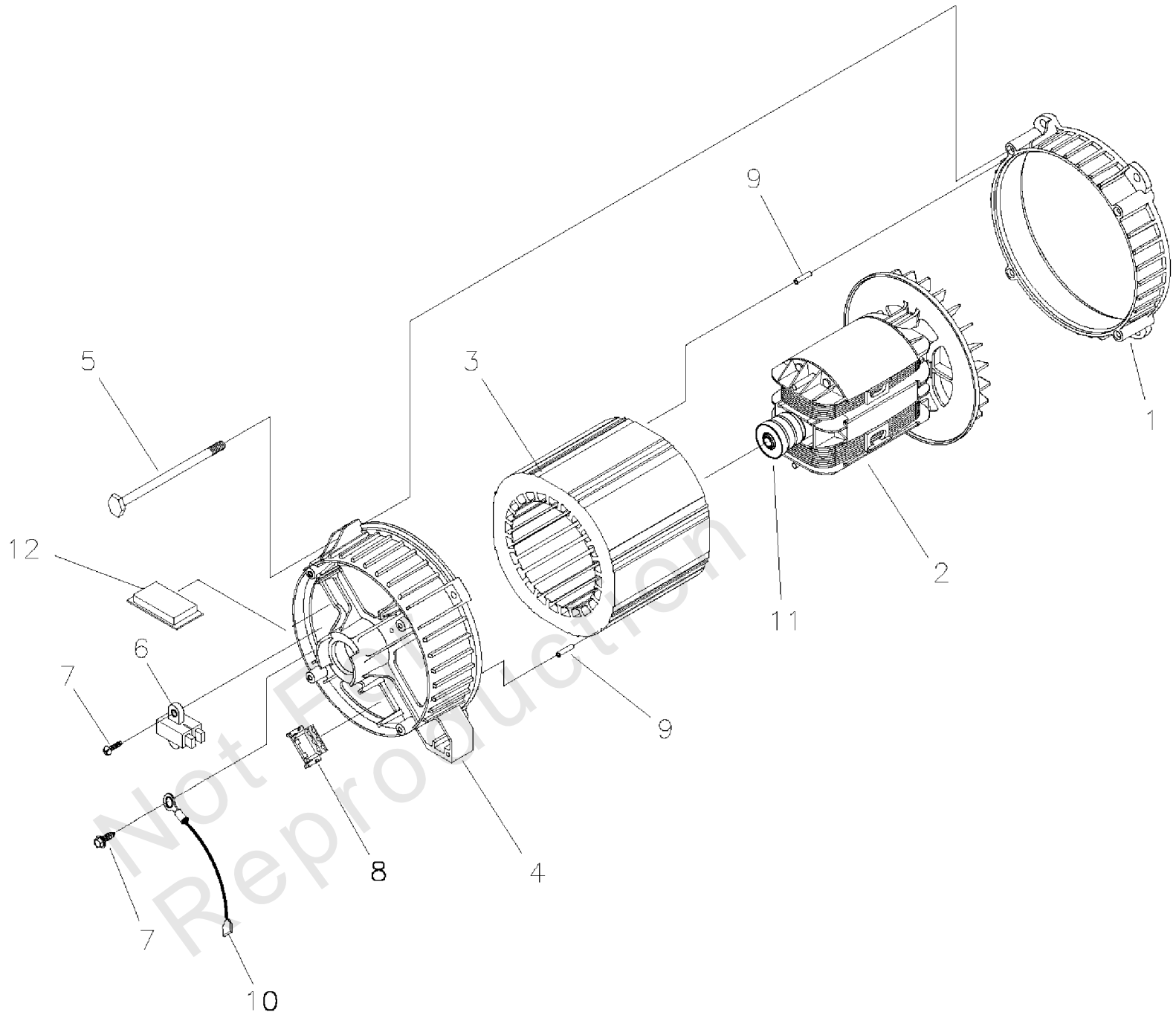
<b>Model Components</b>	<b>Page</b>
Alternator (195697).....	4
Control Panel (195695).....	6
Main Unit (195694).....	8
Wheel Kit (196815).....	12
Wiring Diagram (196884).....	14
Wiring Schematic (196884).....	16
Torque Specification Chart.....	18

Not For  
Reproduction

# Alternator (195697)

Note: Unless noted otherwise, use the standard torque specifications

Mfg. No: 030210-2



## Alternator (195697)

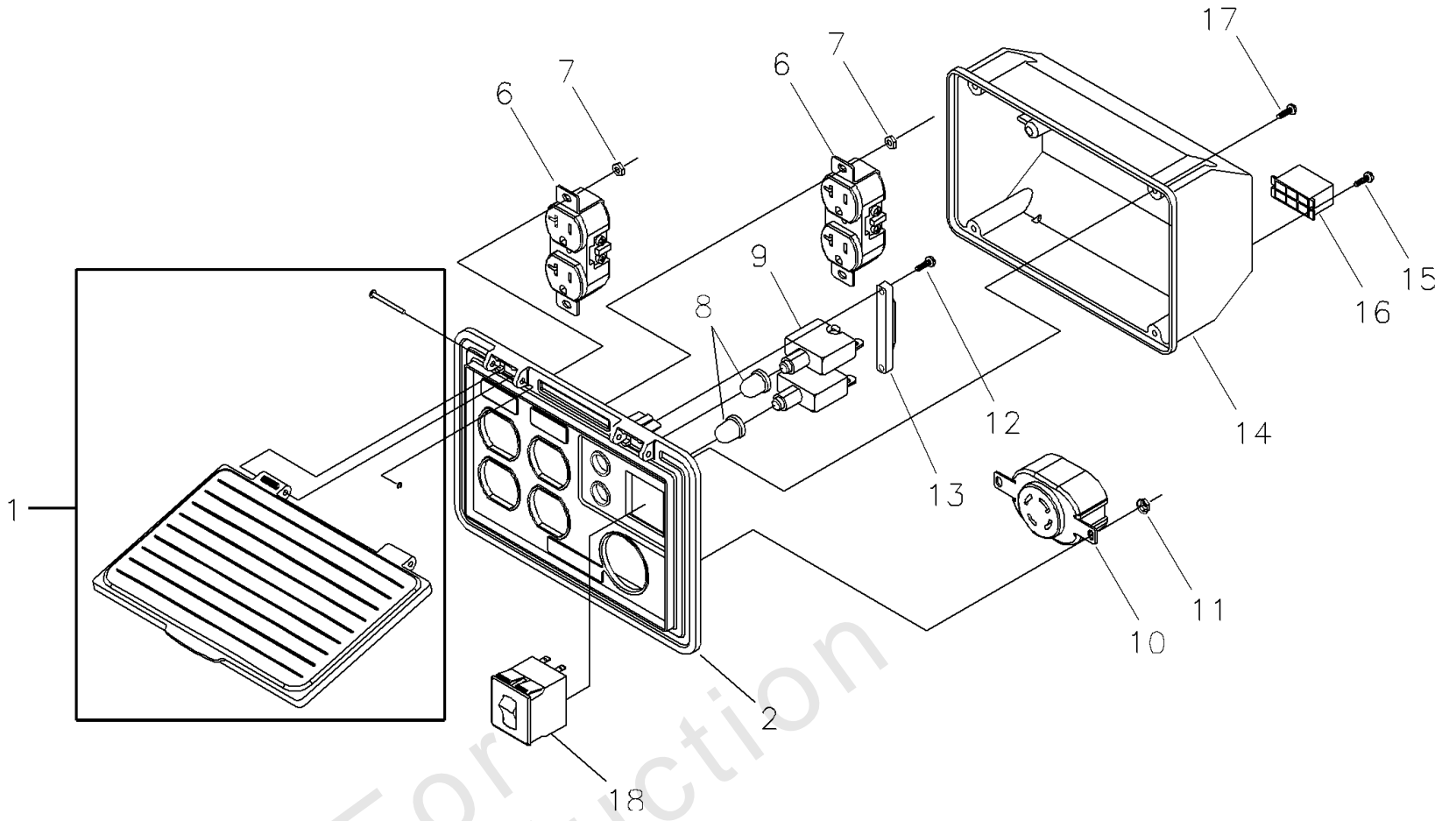
REF NO	PART NO	QTY	DESCRIPTION
1	186059GS		ADAPTER, Mounting, Alternator
2	195616GS		ROTOR (Includes Item 11)
3	196706AGS		STATOR
4	193336GS		RBC, (with O-Ring p/n 189197GS)
5	86308KGS		HHCS, M6 - 1.0 x 140 SEMS
6	66386GS		ASSY, Holder, Brush
7	66849GS		TAPTITE, M5 - 0.8 x 16
8	22694GS		RECEPTACLE, 6 pin
9	81917GS		PIN, Roll, 4mm x 10
10	193428AGS		ASSY, Wire, Ground
11	65791GS		BEARING
12	189769GS		BOARD, Circuit, System Control

Not For  
Reproduction

# Control Panel (195695)

Note: Unless noted otherwise, use the standard torque specifications

Mfg. No: 030210-2



## Control Panel (195695)

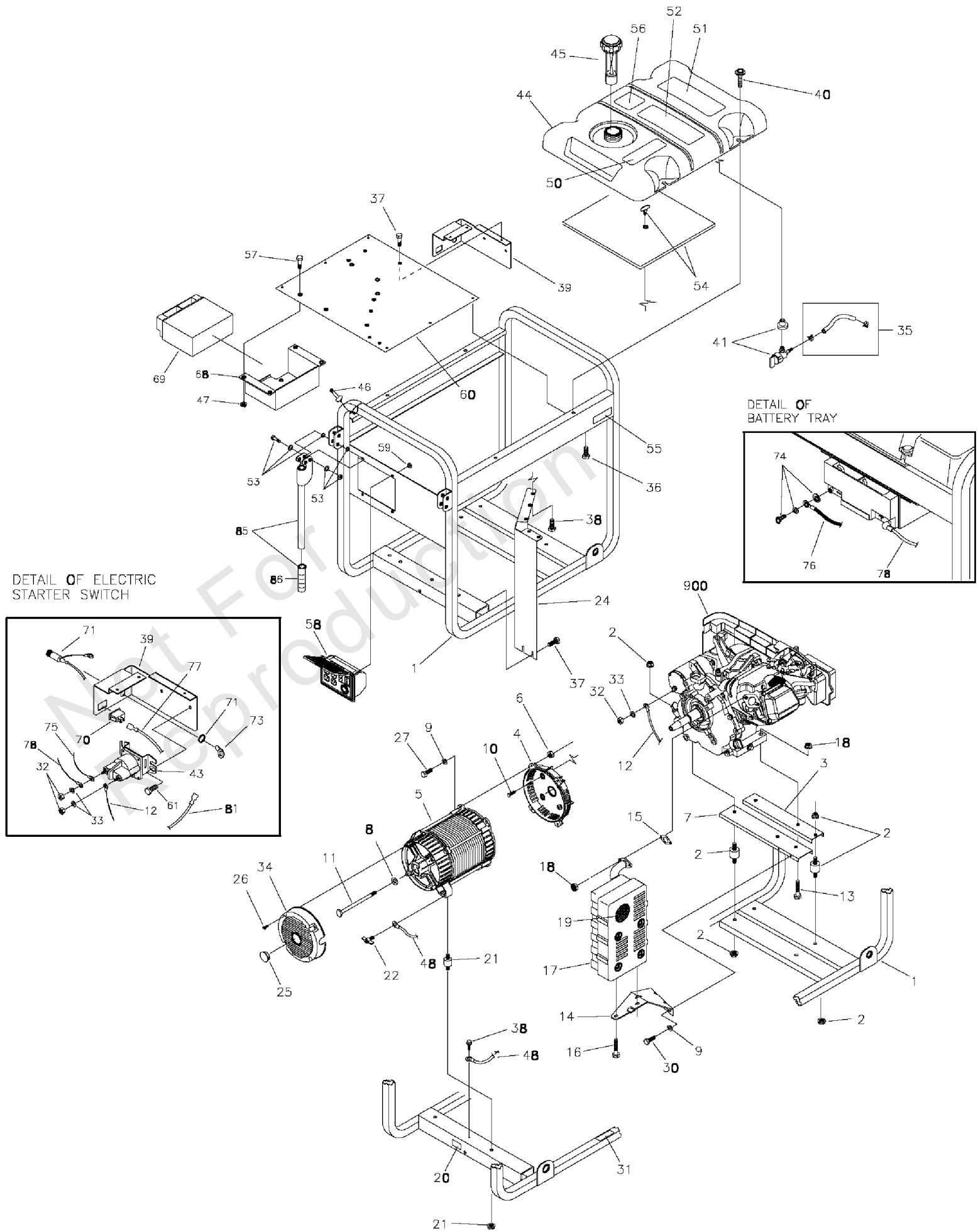
REF NO	PART NO	QTY	DESCRIPTION
1	195112GS		ASSY, Control Lid Panel
2	192273DGS		CONTROL PANEL, Compact
6	68759GS		OUTLET, 120V, 20A, Duplex
7	-		NUT, Palnut, Pushnut, 5/32 -(Purchase locally)
8	84198GS		CAP, Breaker, Circuit
9	75207GS		BREAKER, Circuit
10	43437GS		OUTLET, 120/240V Locking, 30A
11	-		NUT, Palnut, Pushnut, 3/16 -(Purchase locally)
12	-		PPHMS, 3.5 x 18 -(Purchase locally)
13	93857GS		BAR, Retaining
14	192274GS		BOX, Rear Cover
15	82308GS		SCREW, Tapping, STC 3 x 18
16	22694GS		HOUSING, Receptacle
17	192241GS		SCREW, Tapping, 3.5 x 14
18	192785GS		BREAKER, Circuit, 30A

Not For  
Reproduction

# Main Unit (195694)

Note: Unless noted otherwise, use the standard torque specifications

Mfg. No: 030210-2





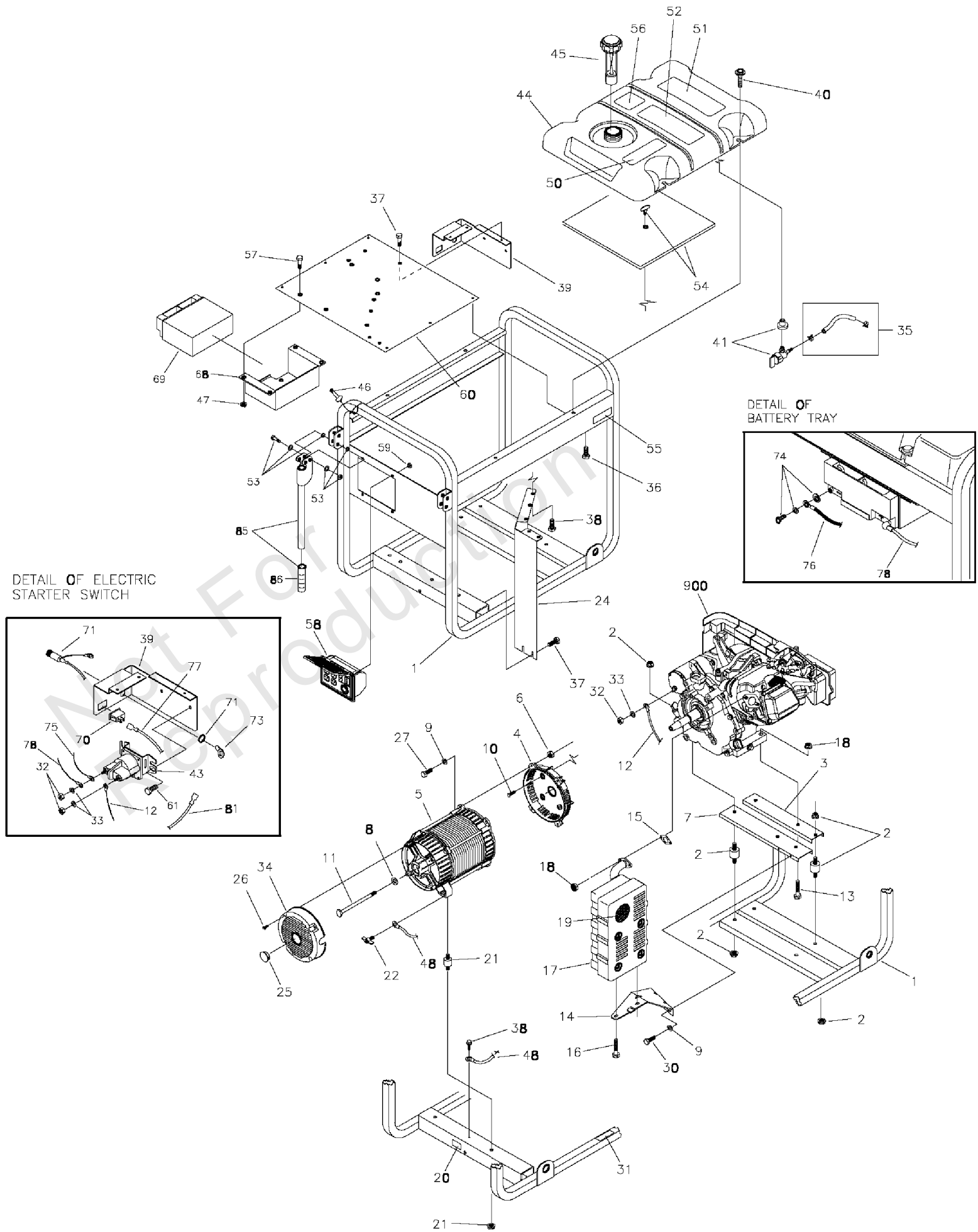
## Main Unit (195694)

REF NO	PART NO	QTY	DESCRIPTION
1	M195438GS		KIT, Cradle -(Includes Items 20 & 31)
2	196400GS		KIT, Vibration Mount
3	M92531GS		BRACKET, Support Engine
4	190220GS		ADAPTER, Engine
5	~NSP		ALTERNATOR ASSEMBLY -(See Page 4)
6	-		NUT, Hex, M8 - 1.25 -Purchase locally
7	M190723GS		BRACKET, Support Eng/Muffler
8	96796GS		WASHER, 8.4 x 22.2 x 3
9	-		WASHER, Lock, 5/16 - M8 -Purchase locally
10	190274DGS		SBHC, 3/8-16 x 7/8"
11	73068GS		HHCS, 5/16 - 24 x 8-7/8
12	189302LGS		ASM WIRE, #16, Red
13	-		HHCS, M8 - 1.25 x 40 -Purchase locally
14	92532GS		BRACKET, Muffler
15	710250		GASKET, Exhaust
16	-		HHCS, M6 - 1.0 x 12 -Purchase locally
17	B4206GS		MUFFLER
18	67989GS		NUT, M8 Flange Serrated
19	83083GS		SCREEN, Spark Arrest
20	B4986GS		DECAL, Ground
21	195625GS		KIT, Vibration Mount
22	86494GS		SCREW, Wing M6 - 1.0 x 16
24	194390GS		ASSEMBLY, Heat Shield
25	191190GS		CAP
26	74908GS		TAPTITE, M5 - 0.8 x 10
27	-		HHCS, M8 - 1.25 x 25 -Purchase locally
30	-		HHCS, 5/16 - 18 x 3/4 -Purchase locally
31	196830GS		DECAL, Exhaust Warning
32	-		NUT, 1/4 - 20 -Purchase locally
33	-		WASHER, 1/4 Lock -Purchase locally
34	195422GS		COVER, RBC Plastic w/Cap
35	791745		KIT, Hose, Fuel (cut to fit)
36	192376GS		SCREW, 12 - 24 x 1/2 Thread Forming
37	56893GS		CRIMPTITE, 10-24 x 1/2
38	B2153GS		SCREW, Self Driller, 12-14 x 7/8
39	B196810GS		BRACKET, Starter
40	199256GS		BOLT, Shoulder, M6-1.0, w/Neoprene Washer
41	192980GS		VALVE, Fuel
43	691656		SOLENOID
44	194217GS		ASSY., Tank Fuel (Includes Items 41, 50, 51, 52 & 53)
45	B4363GS		CAP, Tank Fuel
46	B4135GS		PIN, Handle Release
47	77395GS		NUT, M6 Flange Lock
48	195373GS		WIRE, Ground

# Main Unit (195694)

Note: Unless noted otherwise, use the standard torque specifications

Mfg. No: 030210-2



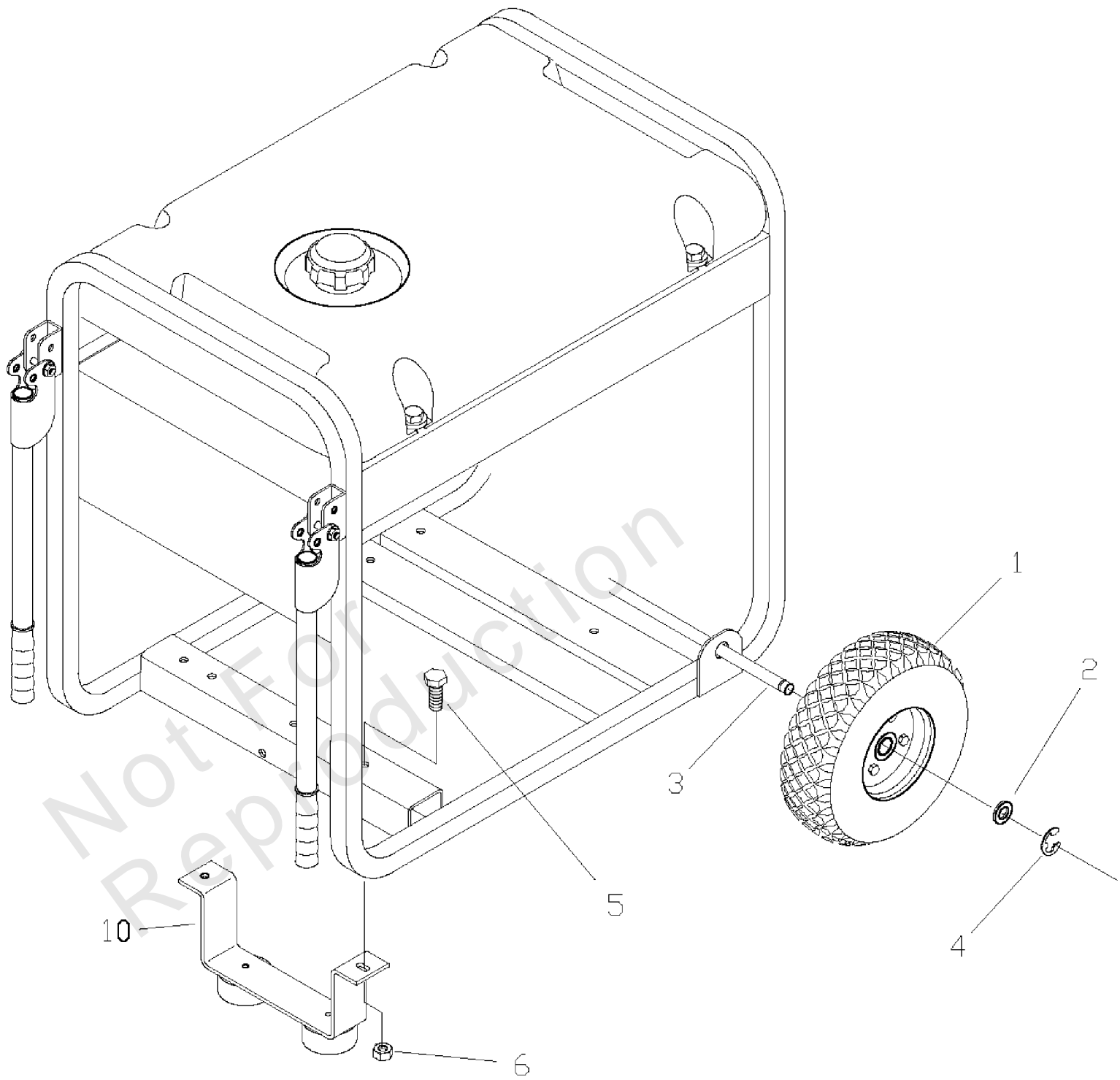
## Main Unit (195694)

REF NO	PART NO	QTY	DESCRIPTION
50	188333GS		DECAL, Instruction Fuel Level
51	194799GS		DECAL, Danger
52	189235GS		DECAL, Start Instructions
53	194034GS		KIT, Fold down Handle Hardware
54	194448GS		KIT, Insulation w/ clip
55	197798GS		DECAL, Fuel Shutoff
56	202997GS		DECAL, Warning, CO
57	-		HHCS, M6 - 1.0 x 12 -Purchase locally
58	195661AGS		ASSY. Control Panel
59	189164GS		PALNUT, 3/16
60	204594GS		HEATSHEILD
61	B4300GS		HHS, 1/4 - 20 x 1/2, Trilobular
68	195680GS		TRAY, Battery
69	193463GS		BATTERY
70	87799GS		SWITCH, Rocker On/Off
71	196626GS		ASSY, Jack, Coax, DC
73	192351GS		LUG, 1/4, #22/18
74	193347GS		KIT, Hardware Battery
75	196627AGS		WIRE-A, #13, Red
76	185939KGS		ASM WIRE, #55 Blk
77	196627BGS		WIRE-A, #13B, Red
78	189302MGS		ASM WIRE, #13 Red
81	196627EGS		WIRE-A, #0, Black
85	B193200GS		ASSY. Fold Down Handle
86	198669GS		GRIP, Handle
900	-		ENGINE -Contact Engine Manufacturer
--	195693GS		MANUAL, Operator's -Not Illustrated
--	MS6669		MANUAL, Engine, B&S -Not Illustrated
--	BB3061BGS		BOTTLE, Oil -Not Illustrated
--	B4177GS		CHARGER, Battery -Not Illustrated
--	194274GS		HARNES, Wire, Power -Not Illustrated
--	197112GS		KIT, Decal Service -Not Illustrated

# Wheel Kit (196815)

Note: Unless noted otherwise, use the standard torque specifications

Mfg. No: 030210-2



## Wheel Kit (196815)

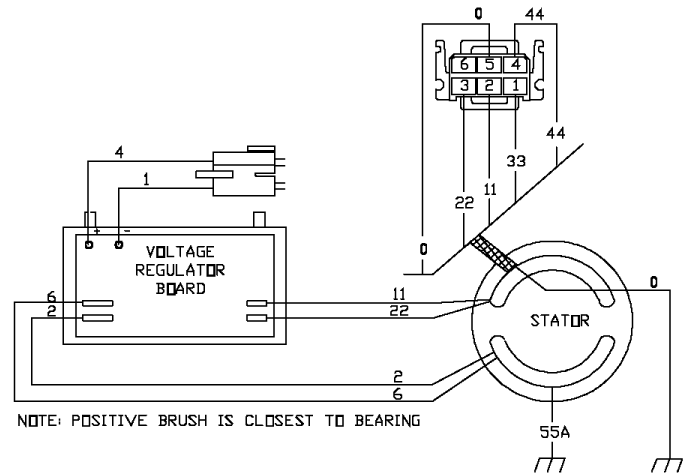
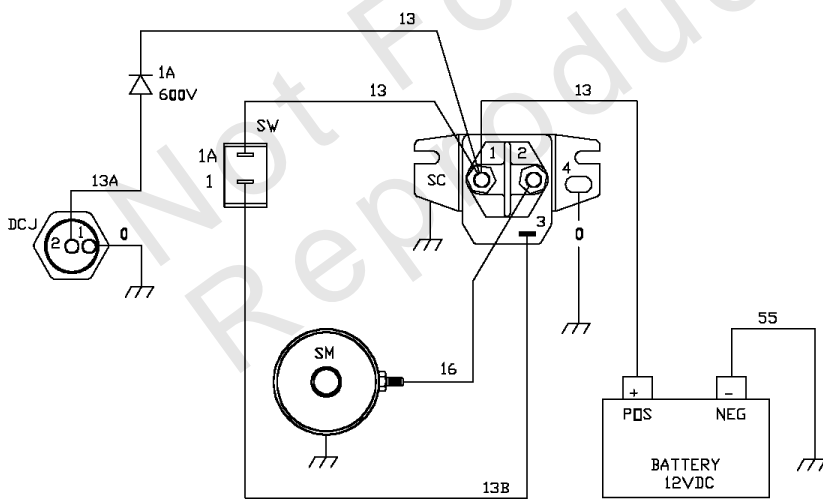
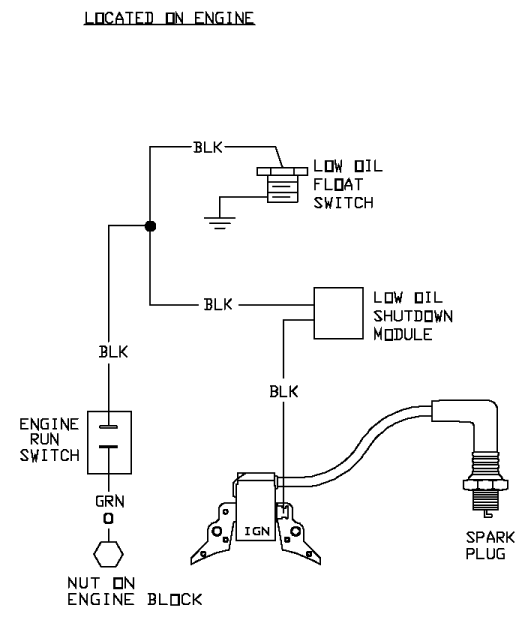
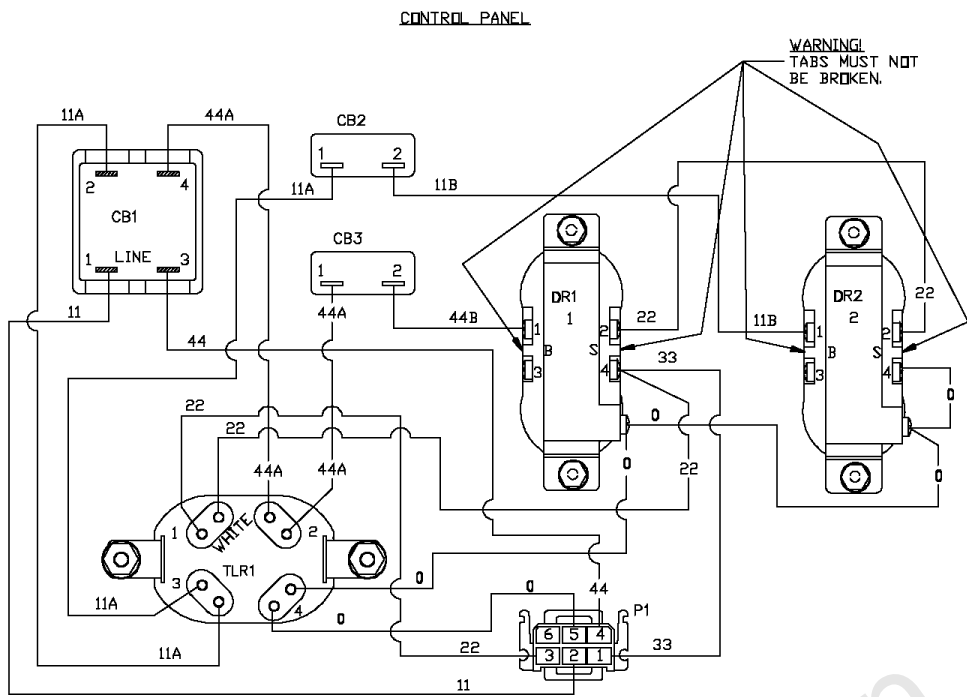
REF NO	PART NO	QTY	DESCRIPTION
1	B4966GS		WHEEL
2	-		WASHER, 5/8" -Purchase locally
3	191267RGS		AXLE, 5/8"
4	191265GS		E-RING
5	-		HHCS, M8 1.25 x 20 -Purchase locally
6	67989GS		NUT, Flange Serrated, M8
10	195686GS		ASSEMBLY SUPPORT -(Includes Ref. No. 7)

Not For  
Reproduction

# Wiring Diagram (196884)

Note: Unless noted otherwise, use the standard torque specifications

Mfg. No: 030210-2



## Wiring Diagram (196884)

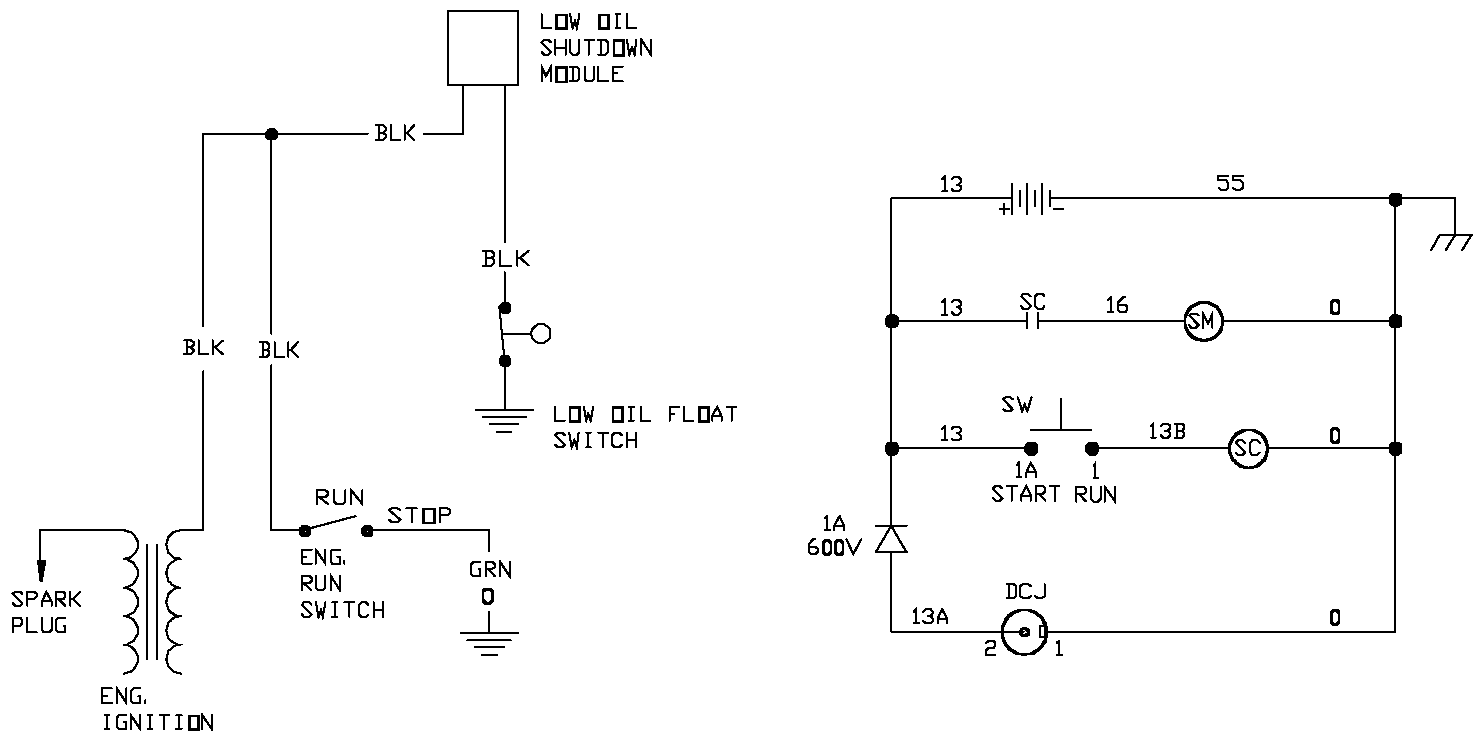
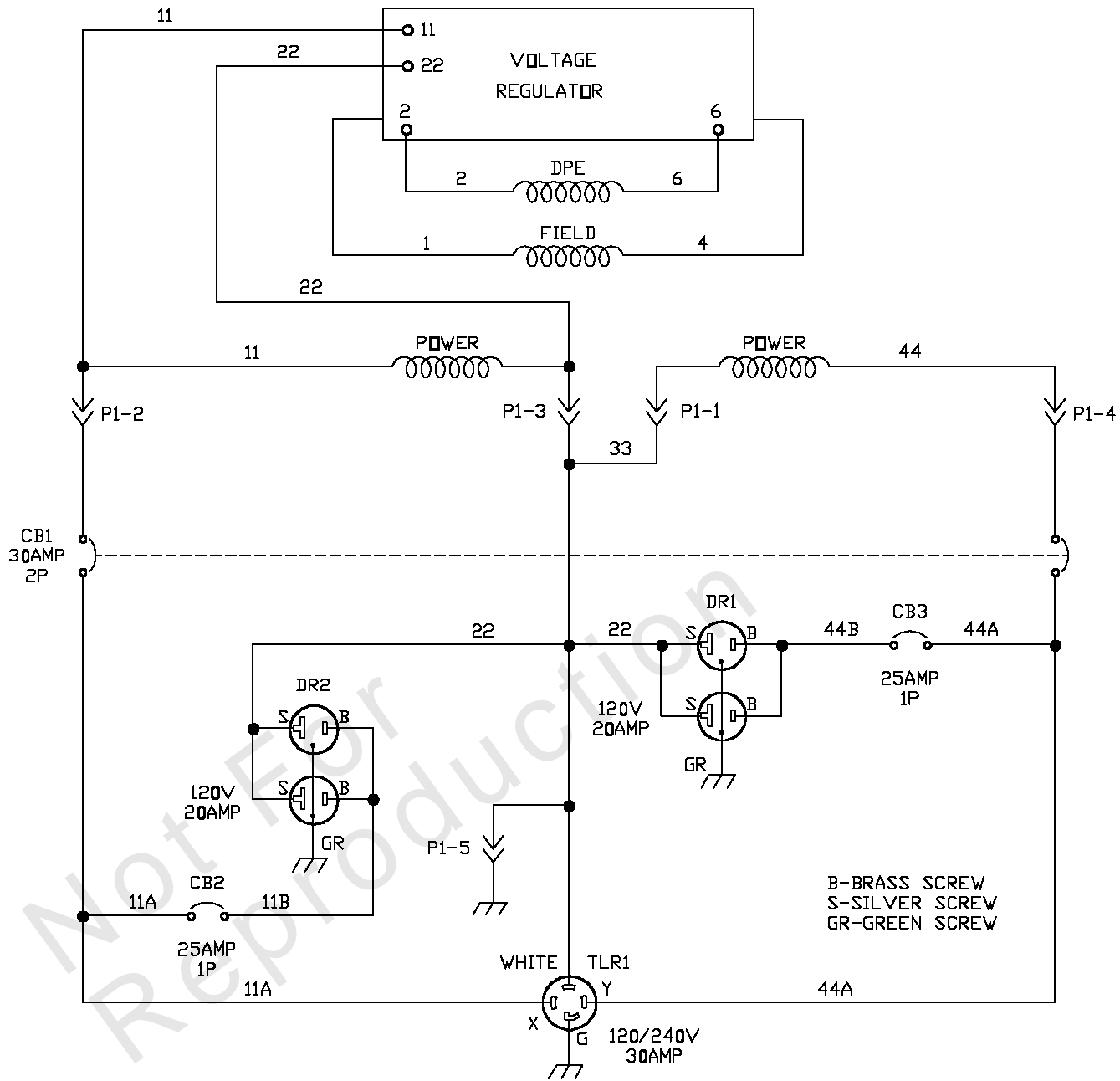
REF NO	PART NO	QTY	DESCRIPTION
--	-		Wiring Diagram Only
--	WARNING		Warning Generator Voltage Could Cause Electrical Shock or Burn Resulting in Death Or Serious Injury. To Avoid Electrical Shock Or Burn Hazard, Please Refer Service To Qualified Personnel.

Not For  
Reproduction

# Wiring Schematic (196884)

Note: Unless noted otherwise, use the standard torque specifications

Mfg. No: 030210-2





## Wiring Schematic (196884)

REF NO	PART NO	QTY	DESCRIPTION
--	-		Wiring Schematic Only
--	WARNING		Warning Generator Voltage Could Cause Electrical Shock or Burn Resulting in Death Or Serious Injury. To Avoid Electrical Shock Or Burn Hazard, Please Refer Service To Qualified Personnel.

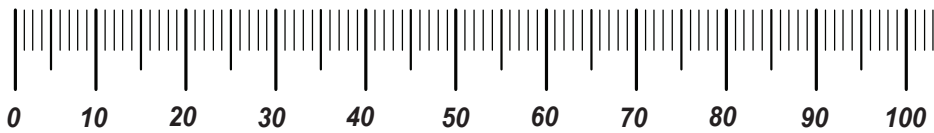
Not For  
Reproduction

# Hardware Identification & Torque Specifications

Torque Specification Chart								
FOR STANDARD METRIC MACHINE HARDWARE (Tolerance ± 20%)								
Property Class	5.6		8.8		10.9		12.9	
	Class 5.6		Class 8.8		Class 10.9		Class 12.9	
Size Of Hardware	in/lbs	Nm.	in/lbs	Nm.	in/lbs	Nm.	in/lbs	Nm.
	ft/lbs		ft/lbs		ft/lbs		ft/lbs	
M3	5.88	.56	13.44	1.28	19.2	1.80	22.92	2.15
M4	13.44	1.28	30.72	2.90	43.44	4.10	52.56	4.95
M5	26.4	2.50	60.96	5.75	5.97	8.10	7.15	9.7
M6	44.64	4.3	7.3	9.9	10.3	14	12.1	16.5
M7	5.2	7.1	12.1	16.5	16.9	23	19.9	27
M8	7.7	10.5	17.7	24	25	34	29	40
M10	15	21	35	48	50	67	59	81
M12	26	36	61	83	86.2	117	103	140
M14	42	58	101	132	136	185	162	220
M16	64	88	147	200	210	285	250	340
M18	89	121	202	275	287	390	346	470
M20	126	171	290	390	405	550	486	660
M22	169	230	390	530	559	745	656	890
M24	217	295	497	375	708	960	840	1140
M27	320	435	733	995	1032	1400	1239	1680
M30	435	590	995	1350	1401	1900	1681	2280
M33	590	800	1349	1830	1902	2580	2278	3090
M36	759	1030	1740	2360	2441	3310	2935	3980
M39	988	1340	2249	3050	3163	4290	3798	5150

Torque Specification Chart						
FOR STANDARD MACHINE HARDWARE (Tolerance ± 20%)						
Hardware Grade	No Marks		SAE Grade 5		SAE Grade 8	
	SAE Grade 2		SAE Grade 5		SAE Grade 8	
Size Of Hardware	in/lbs	Nm.	in/lbs	Nm.	in/lbs	Nm.
	ft/lbs		ft/lbs		ft/lbs	
8-32	19	2.1	30	3.4	41	4.6
8-36	20	2.3	31	3.5	43	4.9
10-24	27	3.1	43	4.9	60	6.8
10-32	31	3.5	49	5.5	68	7.7
1/4-20	66	7.6	8	10.9	12	16.3
1/4-28	76	8.6	10	13.6	14	19.0
5/16-18	11	15.0	17	23.1	25	34.0
5/16-24	12	16.3	19	25.8	29	34.0
3/8-16	20	27.2	30	40.8	45	61.2
3/8-24	23	31.3	35	47.6	50	68.0
7/16-14	30	40.8	50	68.0	70	95.2
7/16-20	35	47.6	55	74.8	80	108.8
1/2-13	50	68.0	75	102.0	110	149.6
1/2-20	55	74.8	90	122.4	120	163.2
9/16-12	65	88.4	110	149.6	150	204.0
9/16-18	75	102.0	120	163.2	170	231.2
5/8-11	90	122.4	150	204.0	220	299.2
5/8-18	100	136	180	244.8	240	326.4
3/4-10	160	217.6	260	353.6	386	525.0
3/4-16	180	244.8	300	408.0	420	571.2
7/8-9	140	190.4	400	544.0	600	816.0
7/8-14	155	210.8	440	598.4	660	897.6
1-8	220	299.2	580	788.8	900	1,244.0
1-12	240	326.4	640	870.4	1,000	1,360.0

The guides and ruler furnished below are designed to help you select the appropriate hardware.



Nut, M8

Thread Diameter (mm)

Inside Diameter (in)      Threads per inch

Nut, 1/2-16

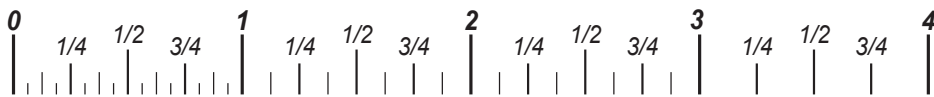


Screw, M8- 1.25 x 25

Thread Diameter (mm)      Distance between threads (mm)      Body Length (mm)

Body Diameter      Threads per inch      Body Length (in)

Screw, 1/2- 16 x 2



## Standard Hardware Sizing

When a washer or nut is identified as 1/2" (M8), this is the *Nominal size*, meaning the *inside diameter* is 1/2 inch (8mm metric thread diameter); if a second number is present it represents the *threads per inch* (distance between threads).

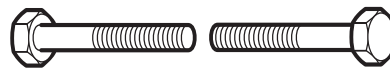
When bolt or capscrew is identified as 1/2 - 16 x 2" (M8 - 1.25 x 50), this means the *Nominal size*, or body diameter is 1/2 inch (8mm metric thread diameter), the second number, 16, represents the *threads per inch*, (*distance between threads*). The final number is the body length of the bolt or screw, 2 inches (50mm).

## NOTES

- These torque values are to be used for all hardware excluding: locknuts, self-tapping screws, thread forming screws, sheet metal screws and socket head setscrews.
- Recommended seating torque values for locknuts:
  - for prevailing torque locknuts - use 65% of grade 5 torques.
  - for flange whizlock nuts and screws - use 135% of grade 5 torques.
- Unless otherwise noted on assembly drawings, all torque values must meet this specification.

## Common Hardware Types

Hex Head Capscrew



Washer



Carriage Bolt



Hex Nut

## Wrench & Fastener Size Guide

1/4" Bolt or Nut Wrench—7/16"	5/16" Bolt or Nut Wrench—1/2"	3/8" Bolt or Nut Wrench—9/16"	7/16" Bolt or Nut Wrench (Bolt)—5/8" Wrench (Nut)—11/16"	1/2" Bolt or Nut Wrench—3/4"
M6 Bolt or Nut Wrench—10mm	M8 Bolt or Nut Wrench—13mm	M10 Bolt or Nut Wrench—17mm	M12 Bolt or Nut Wrench—19mm	M14 Bolt or Nut Wrench—22mm

